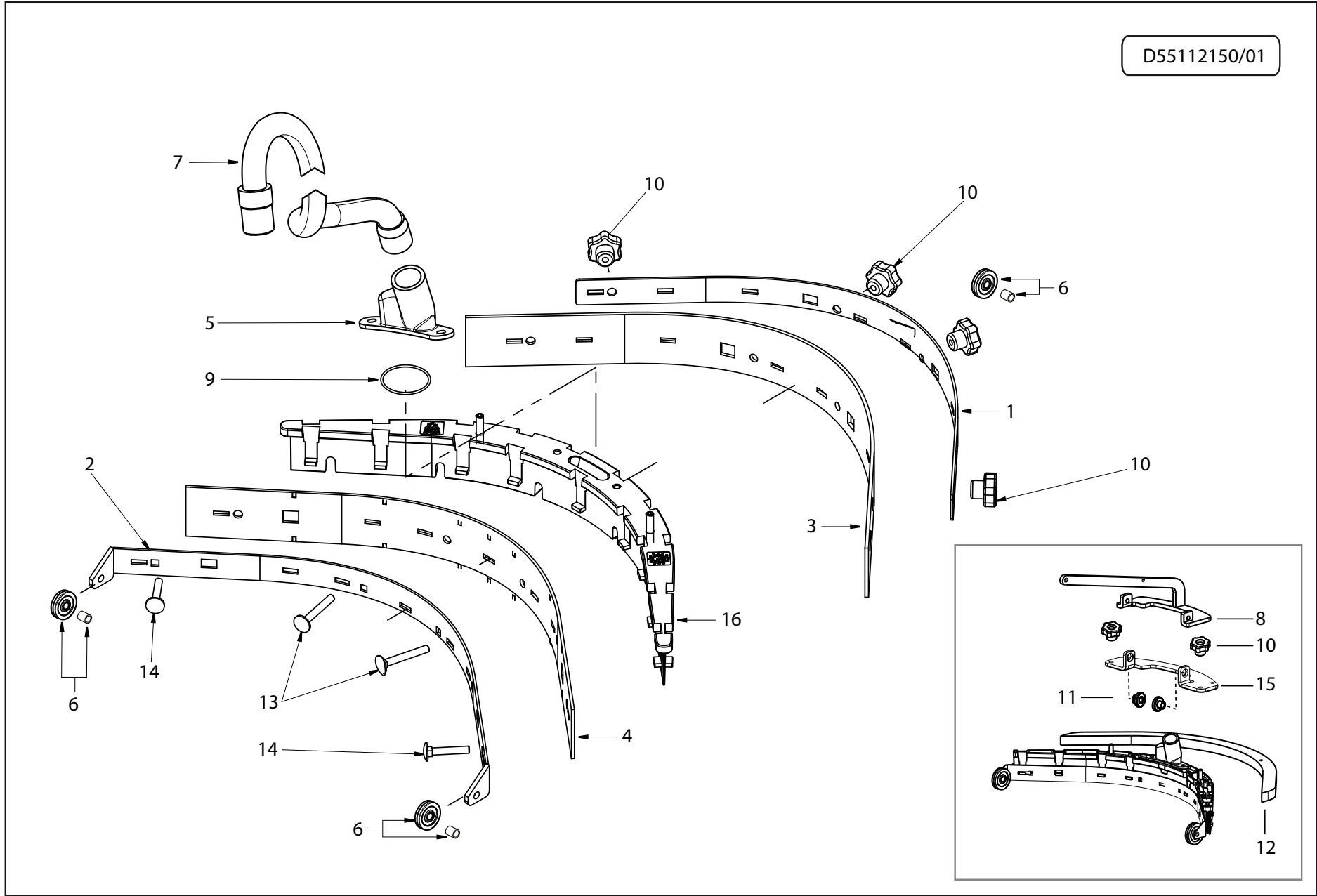


D55112150/01



Pos.	Code	Substituted by	Q.ty	Purchasable	Min. Q.ty	For mainten.	Description
001	5.513.0313		1	Yes	1		REAR SQUEEGEE BLADE HOLDER PLATE
002	4.507.1554		1	Yes	1		BLADE HOLDER - FRONT
003	4.508.1736		1	Yes	1	ORD	REAR SQUEEGEE BLADE 590X50X2,5 (RED LATEX RUBBER)
004	4.508.1100		1	Yes	1	ORD	FRONT SQUEEGEE BLADE (NATURAL RUBBER)
005	4.508.1333		1	Yes	1		VACCUM RACCORD DART
006	6.505.0082		1	Yes	1		WHEEL SET
007	3.752.0305		1	Yes	1	EXT	VAC HOSE DART
008	4.507.1596		1	Yes	1		SQUEEGEE LIFTING LEVER DART
009	3.200.0212		1	Yes	1		O-RING
010	3.099.0477		6	Yes	1		KNOB M6 (THREADED PASS-THROUGH HOLE)
011	4.506.0229		2	Yes	1		BUSHING
012	4.507.1130		1	Yes	1		SQUEEGEE BALLAST
013	3.002.0822		2	Yes	1		SCREW M6 X 45
014	3.002.0820		2	Yes	1		SCREW M6 X 35
015	4.507.1245		1	Yes	1		SQUEEGEE SUPPORT
016	4.508.1557		1	Yes	1		SQUEEGEE