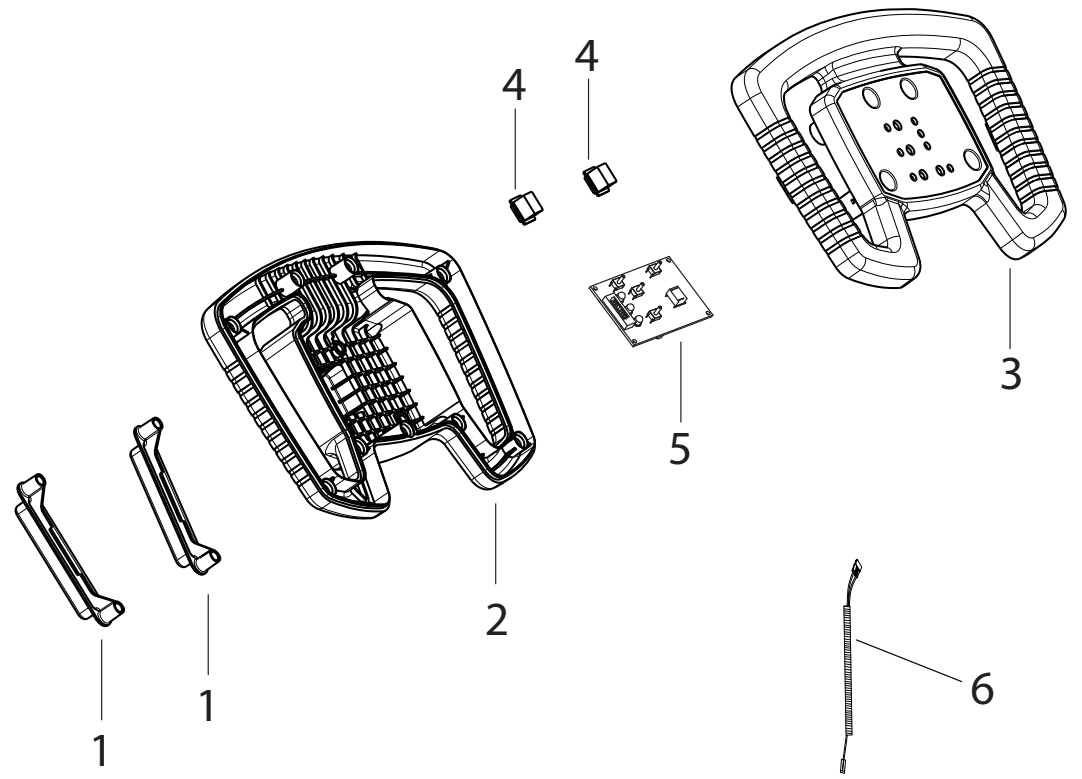


D55111947/01



ASSIEME IMPUGNATURA DYNAMIC C/LEVE PRESENZA OPERATORE -G- PANT.108C - Content filters: validity 28/04/2022

R55111947 - ASSIEME IMPUGNATURA DYNAMIC C/LEVE PRESENZA OPERATORE -G- PANT.108C

Validity: from 20/07/2020 to 31/12/9999

Pos.	Code	Substituted by	Q.ty	Purchasable	Min. Q.ty	For mainten.	Description
001	4.508.1316		2	Yes	1		LEVER
002	4.508.1315		1	Yes	1		LOWER SHELL GRIP
003	4.508.1314		1	Yes	1		UPPER SHELL GRIP
004	3.401.0181		2	Yes	1	EXT	SWITCH FOR CHEMICAL/WATER
005	3.403.0270		1	Yes	1		CONTROL BOARD
006	4.512.0124		1	Yes	1		WIRING CONTROL CARD-KEYBOARD DYNAMIC