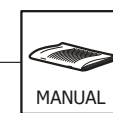
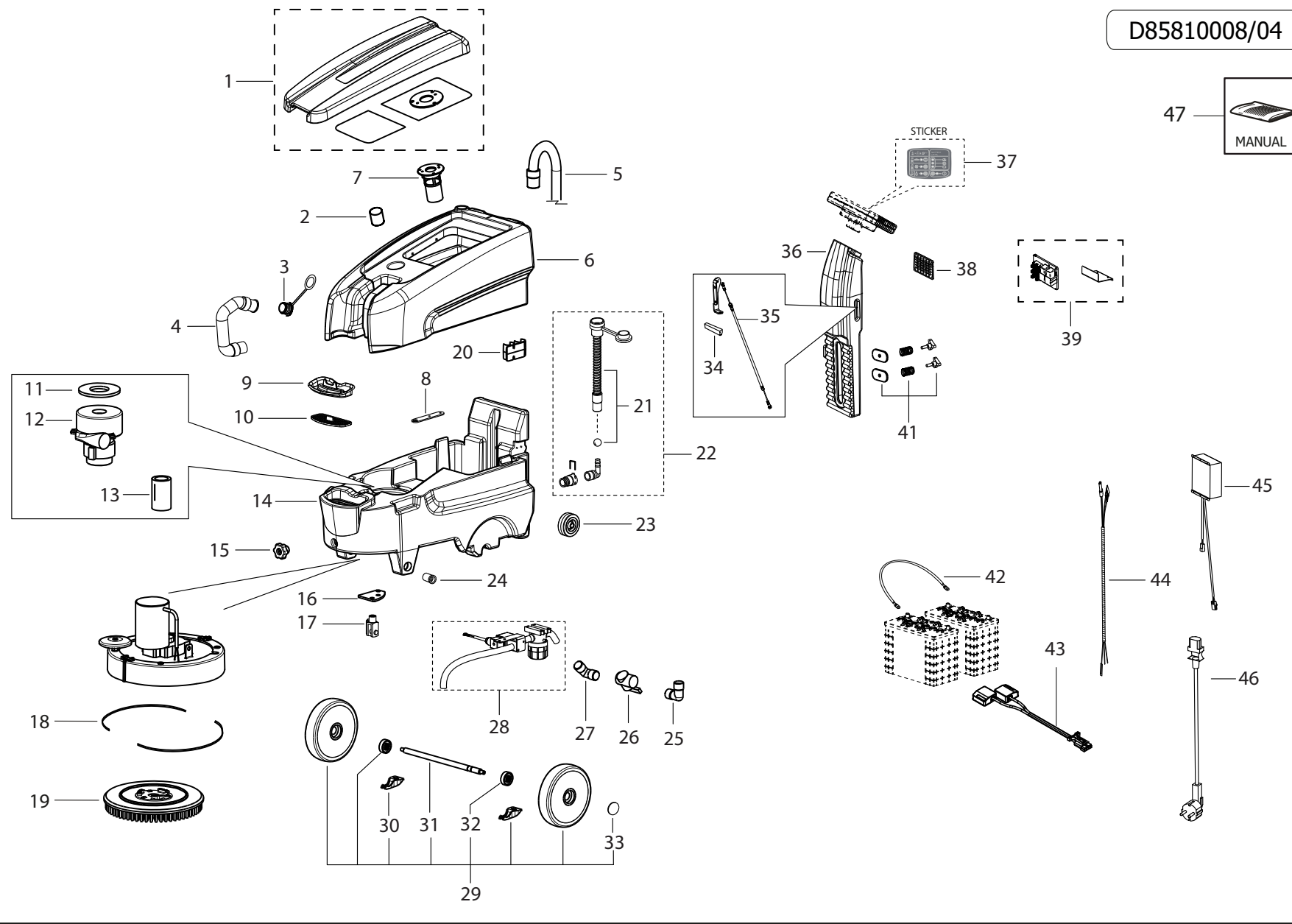


D85810008/04



47



Pos.	Code	Substituted by	Q.ty	Purchasable	Min. Q.ty	For mainten.	Description
.	R55092190		1	No			GRUPPO PIATTO SPAZZOLA DART BATTERIA
.	R55111947		1	No			ASSIEME IMPUGNATURA DYNAMIC C/LEVE PRESENZA OPERATORE -G-PANT.108C
.	R55112149		1	No			ASSIEME GALLEGGIANTE DART
.	R55112150		1	No			ASSIEME SQUEGEE DART
.	R55112186		1	No			ASSIEME FILTRO ACQUA + ELETTROVALVOLA DART BATTERIA
001	5.511.2194		1	No			ASSIEME COPERCHIO SERBATOIO SUPERIORE DART -GR- RAL.7021
002	4.508.1086		1	Yes	1	ORD	FILTER SUCTION
003	4.208.0274		1	Yes	1	EXT	DIAM.32mm CAP
004	3.752.0290		1	Yes	1	EXT	EXHAUST PIPE L=30cm
005	3.752.0306		1	Yes	1		HOSE L=400mm FOR UPPER TANK
006	4.508.1728		1	Yes	1		BLUE UPPER TANK DART
007	5.511.2149		1	Yes	1		FLOAT ASSEMBLY DART
008	4.507.1582		1	Yes	1		PIASTRA PASSAGGIO CAVO SOLLEVAMENTO SQG DYNAMIC
009	4.508.1312		1	Yes	1		TANK CAP
010	4.508.1313		1	Yes	1		TANK GRID FILTER
011	4.508.0123		1	Yes	1		SUCTION MOTOR GASKET
012	3.755.0127		1	Yes	1		VACUUM MOTOR DART
013	6.505.0107		1	No			KIT SPUGNA INSONORIZZANTE DART
014	4.508.1328		1	Yes	1		LOWER TANK DART
015	3.099.1903		1	Yes	1		KNOB M6 (THREADED PASS-THROUGH HOLE)
016	4.507.1577		1	Yes	1		LEVER STOP BRACKET
017	3.099.0337		1	Yes	1		WATER GEAR CONTROL M6+CLIP
018	4.508.1978		2	Yes	1	EXT	BUMPER DART
019	5.511.2151		1	Yes	1	ORD	BRUSH MOD.430 DYNAMIC
020	4.508.1334		1	Yes	1		PIPES HOOK HOLDER DART
021	6.505.0105		1	Yes	1		KIT TUBO DI SCARICO + PALLINA DART
022	6.505.0103		1	Yes	1		KIT TUBO DI SCARICO DART COMPLETO
023	3.006.0075		1	Yes	1	EXT	SQUEEGEE WHEEL D.50X21 D.8
024	4.507.0763		2	Yes	1		BUSHING
025	3.100.0357		1	Yes	1		ELBOW 1/2'M 1/2'M
026	3.105.0018		1	Yes	1		FAUCET

A1.5 36B C/CBT BLU/GR.SC. FASA - Content filters: validity 28/04/2022



**R85810008 - A1.5 36B C/CBT BLU/GR.SC. FASA**

Validity: from 27/02/2019 to 31/12/9999

28/04/2022

Page 2 / 3

Pos.	Code	Substituted by	Q.ty	Purchasable	Min. Q.ty	For mainten.	Description
027	3.100.0218		1	Yes	1		HOSE FITTING UNION ELBOW
028	5.511.2186		1	Yes	1		ASSIEME FILTRO ACQUA + ELETTRIVALVOLA DART BATTERIA
029	6.505.0101		1	Yes	1		KIT RUOTE+ASSALE DART
030	4.508.0689		2	Yes	1		FIXING WHEEL AXLE
031	4.507.1598		1	Yes	1		WHEEL SHAFT DART
032	4.508.0687		2	Yes	1		AXLE SUPPORT
033	3.099.1066		2	Yes	1		CAP FOR WHEEL - GREY
034	4.508.0944		1	Yes	1		HANDLE
035	3.099.0222		1	Yes	1	EXT	SQUEEGEE LIFT CABLE DART
036	4.508.1310		1	Yes	1		DARK GREY STEERING COLUMN
037	7.503.1808		1	Yes	1		PANEL STICKER DYNAMIC (water stop function)
038	4.508.1317		1	Yes	1		ELECTRIC BOX COVER
039	6.505.0120		1	Yes	1		KIT SCHEDE DI CONTROLLO DART/DYNAMIC
041	6.505.0102		2	Yes	1		KIT GALLETTO+MOLLA+PIASTRINA FISS.MANICO DART/DYNAMIC
042	5.511.2152		1	Yes	1		CONNECTION WIRING BATTERY DART
043	5.511.2153		1	Yes	1		SUPPLY WIRING BATTERY DART
044	4.512.0129		1	Yes	1		COMPLETE MAIN WIRING
045	0.108.0076		1	Yes	1	EXT	BATTERY CHARGER DART
046	0.108.0025		1	Yes	1	EXT	UE PLUG + MAIN CABLE FOR INTEG RATED CHARGER 1,5m
047	7.504.0327		1	Yes	1		MANUAL DART LAVOR