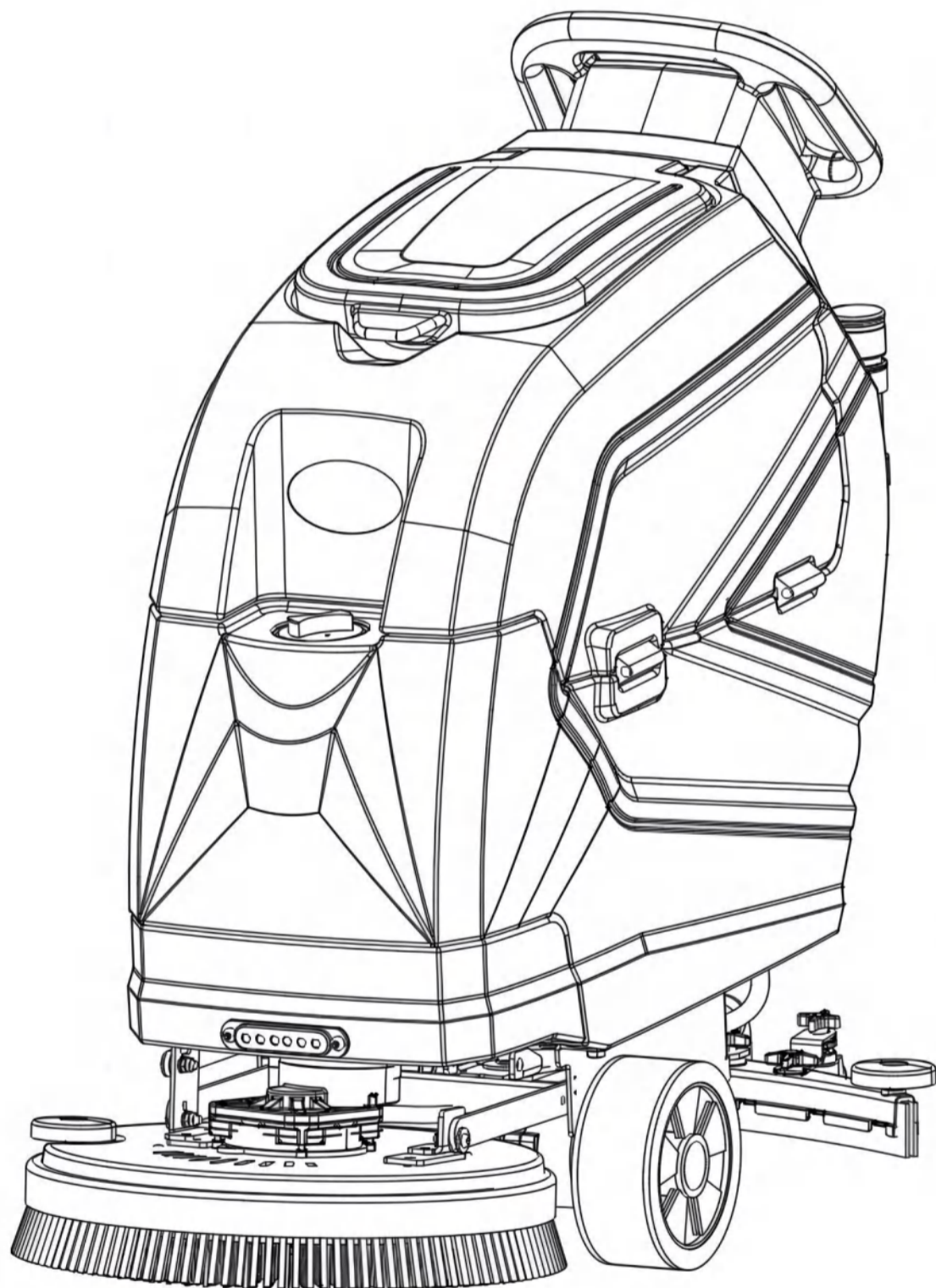


N3 Plus

WALK-BEHIND FLOOR SCRUBBER

Parts Manual

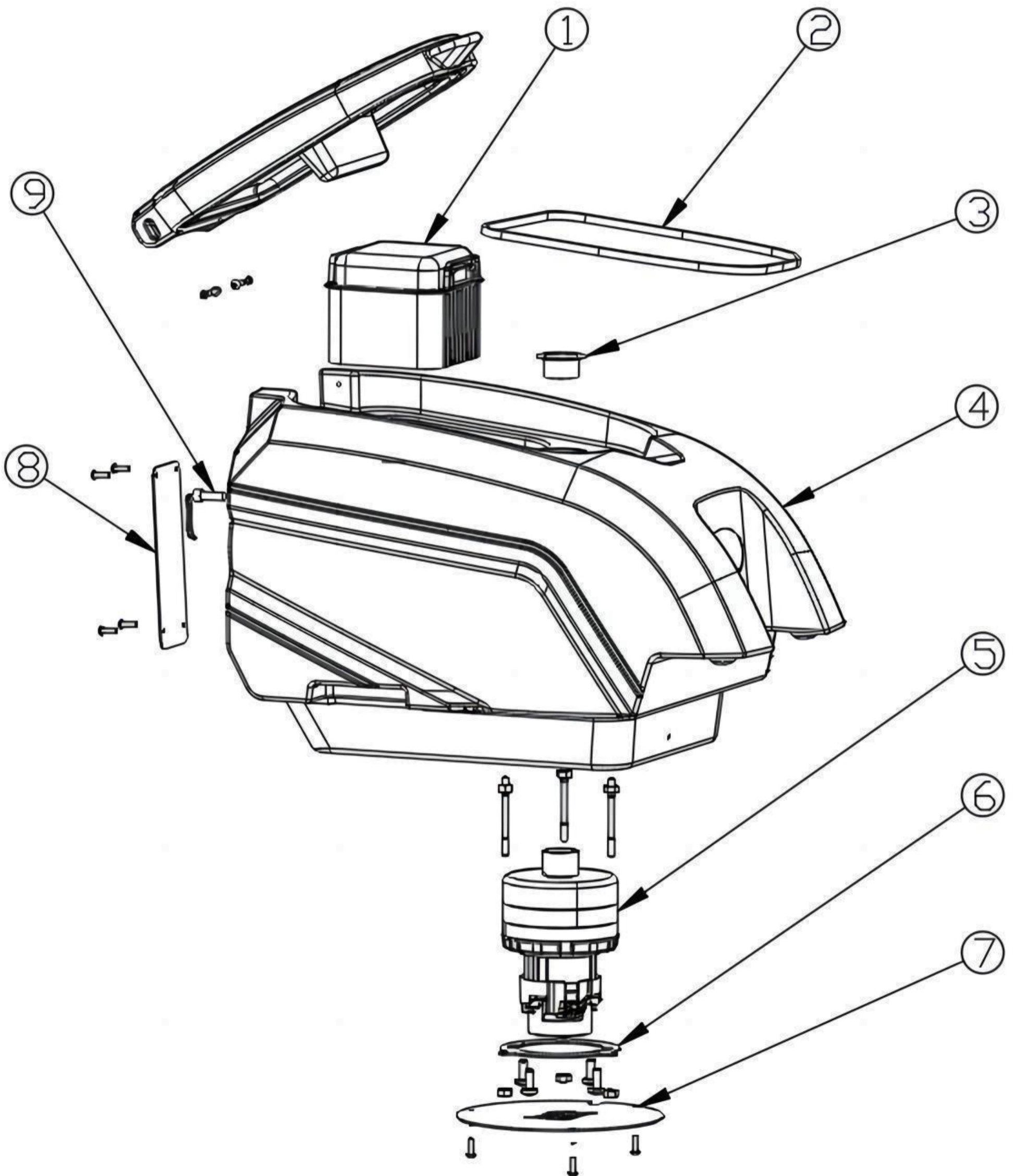


To view, print or download the parts manual,
visit: [the parts manual, visit:](http://www.pennonenv.com)

www.pennonenv.com

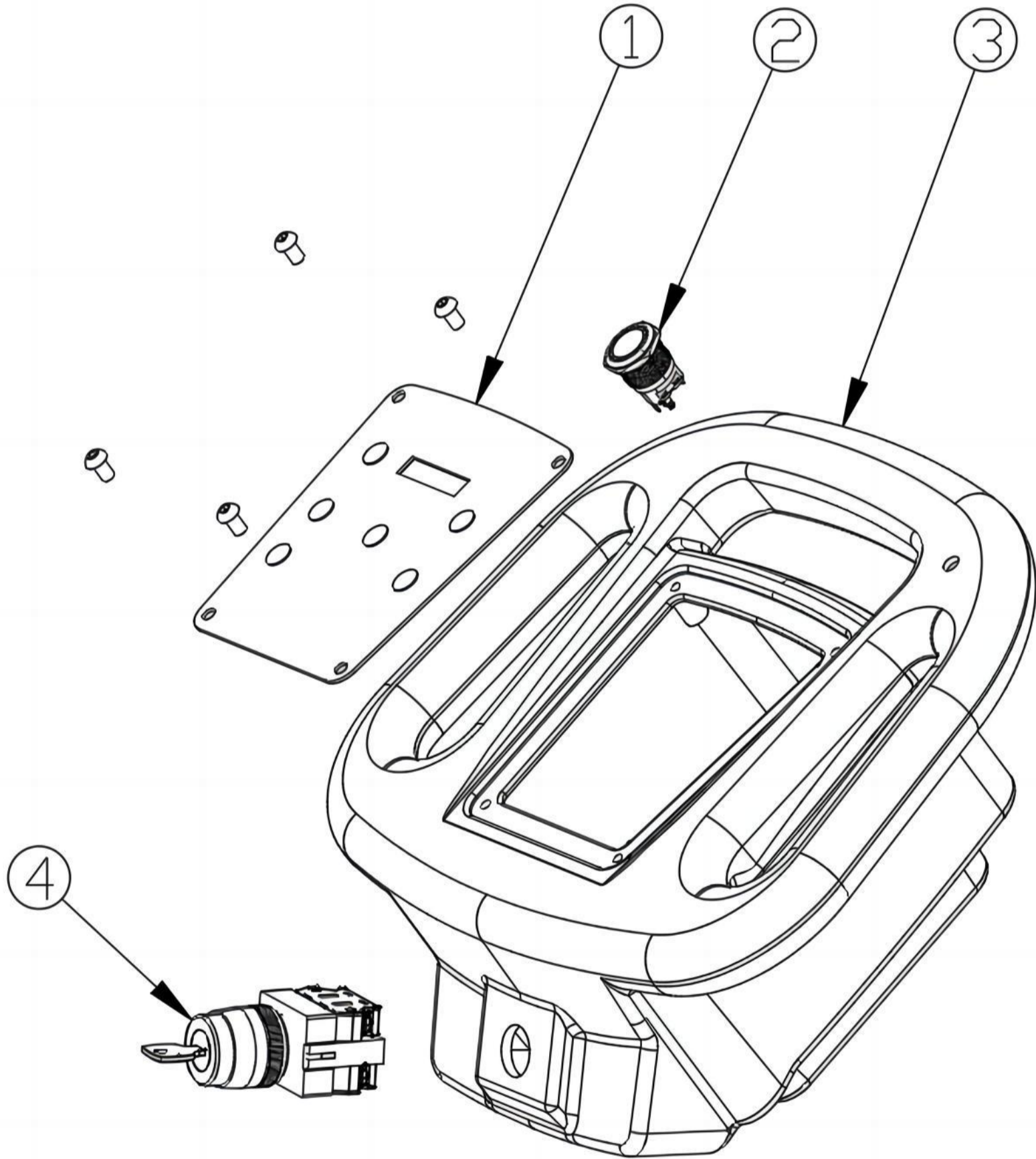
Address: 318 Xinghe Road, Yuyue Town, Deqing County, Huzhou
City, Zhejiang Province

Fig. 1 -RECOVERY TANK GROUP



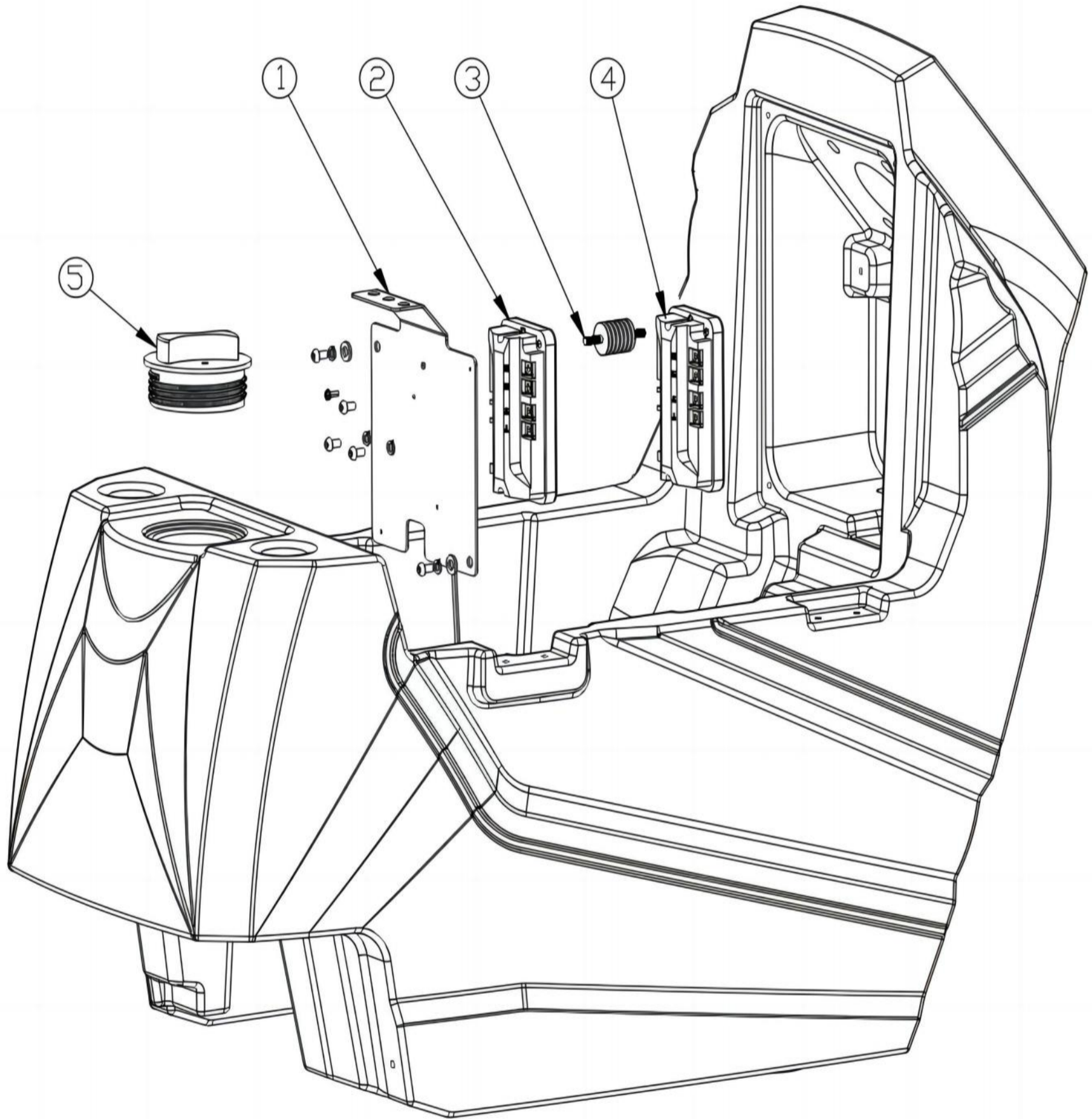
Ref.	Part No.	Description
1	0101010021	Tray, Debris, Tank, Recvy
2	0101010024	Gasket/Sealing strip
3	01020026	small filter, Motor
4	0101010004	Recovery Tank
5	0101010053	Suction Motor
6	0101010059-1	Sheet Metal
7	0101010059-2	Sheet Metal-motor cover
8	0101010059-3	Sheet Metal
9	01020034	Water level sensor

Fig. 2 -CONTROL PANEL GROUP



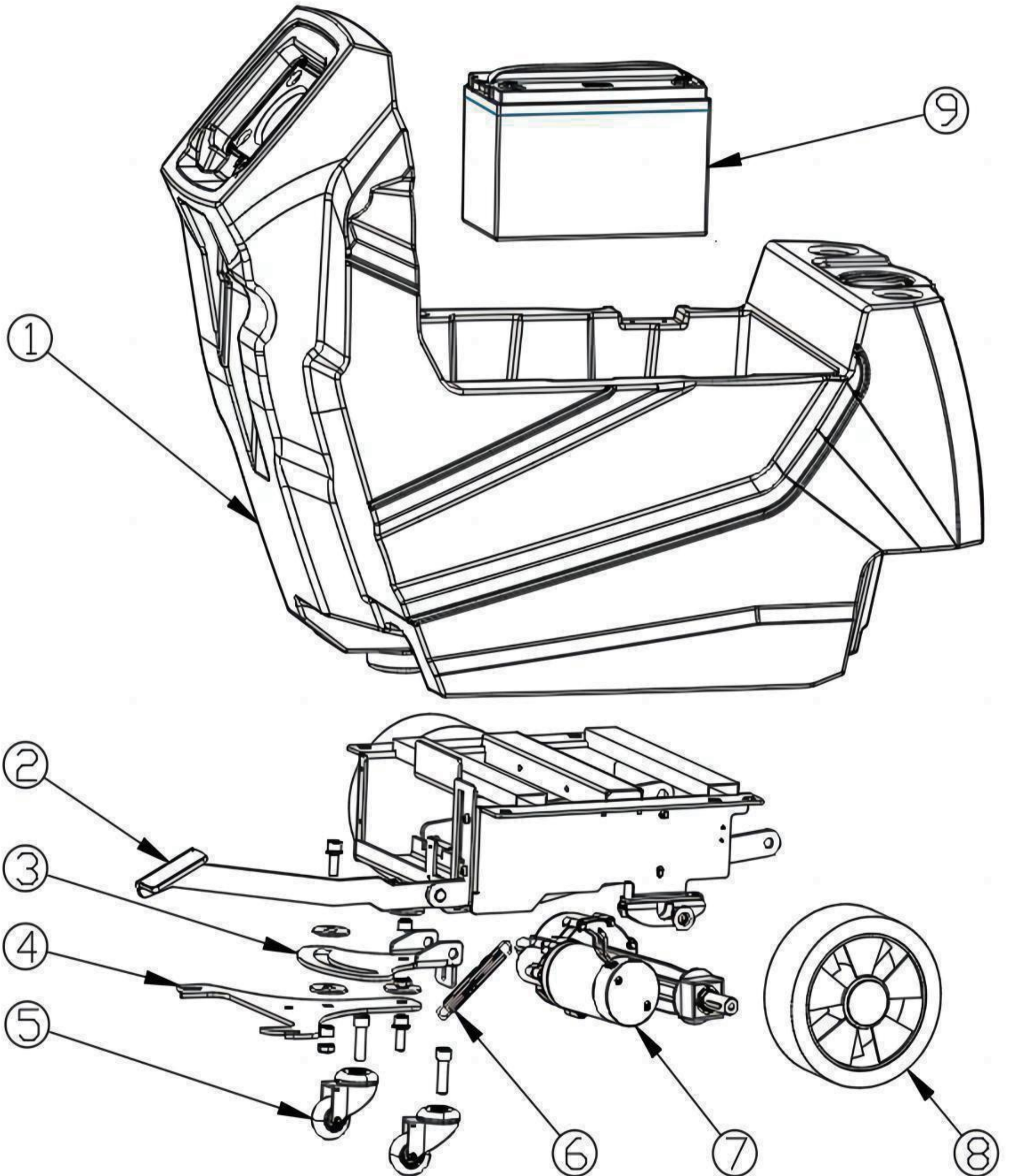
Ref.	Part No.	Description
1	0101050017	Touch panel
2	0101020025	Reset button
3	0101010005	Housing, Handle, Cntrl, Top
4	0101010015	Switch, Safety, Shutoff, W/key

Fig. 3 -SOLUTION TANK GROUP



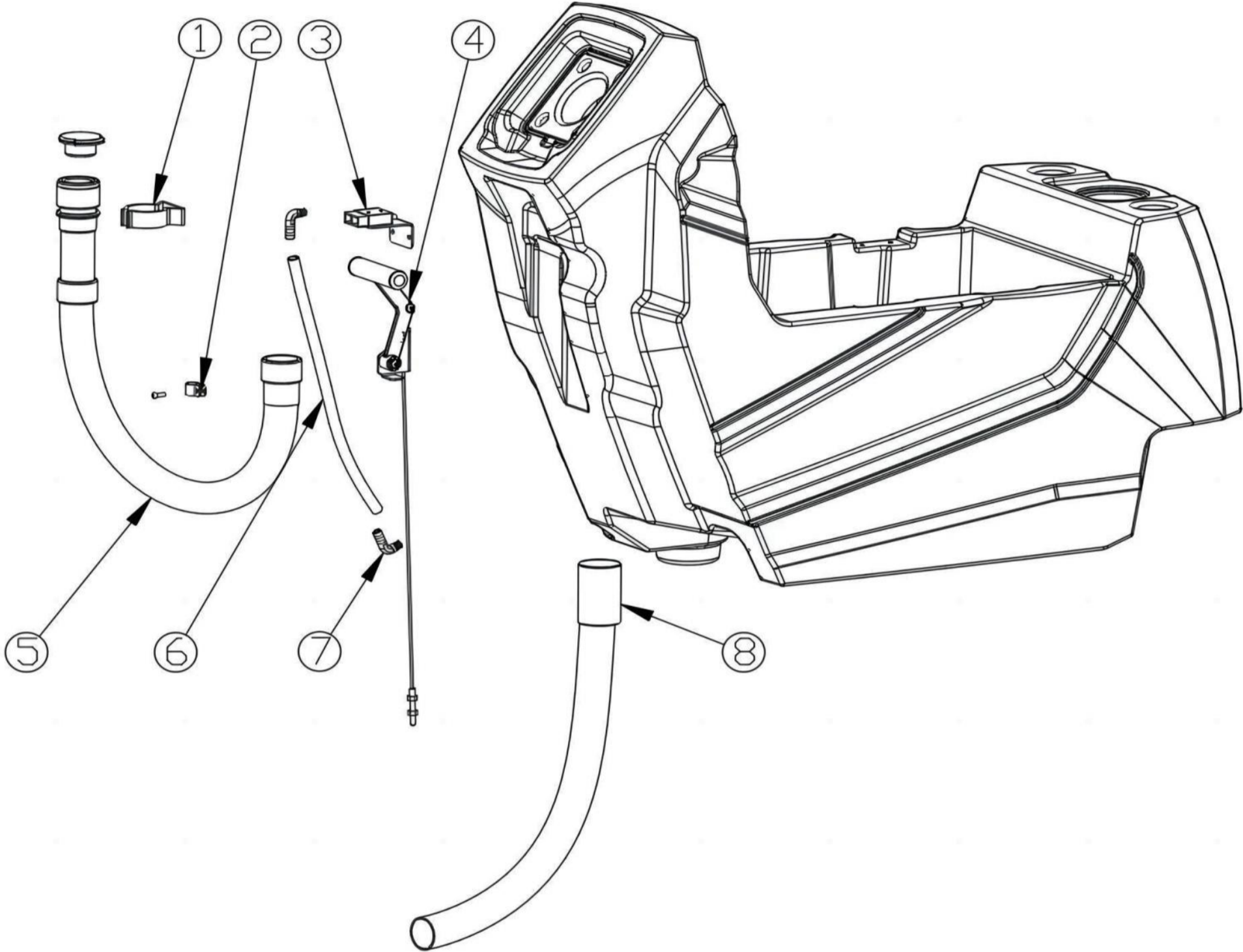
Ref.	Part No.	Description
1	0101010059-4	Sheet Metal, controller plate
2	0101010054	Two-way controller
3	01020039	Spare part-Wire pile(insulation column)
4	0101010055	Drive controller
5	0101010022	Cover, inlet water

Fig. 4 -MAIN FRAME GROUP



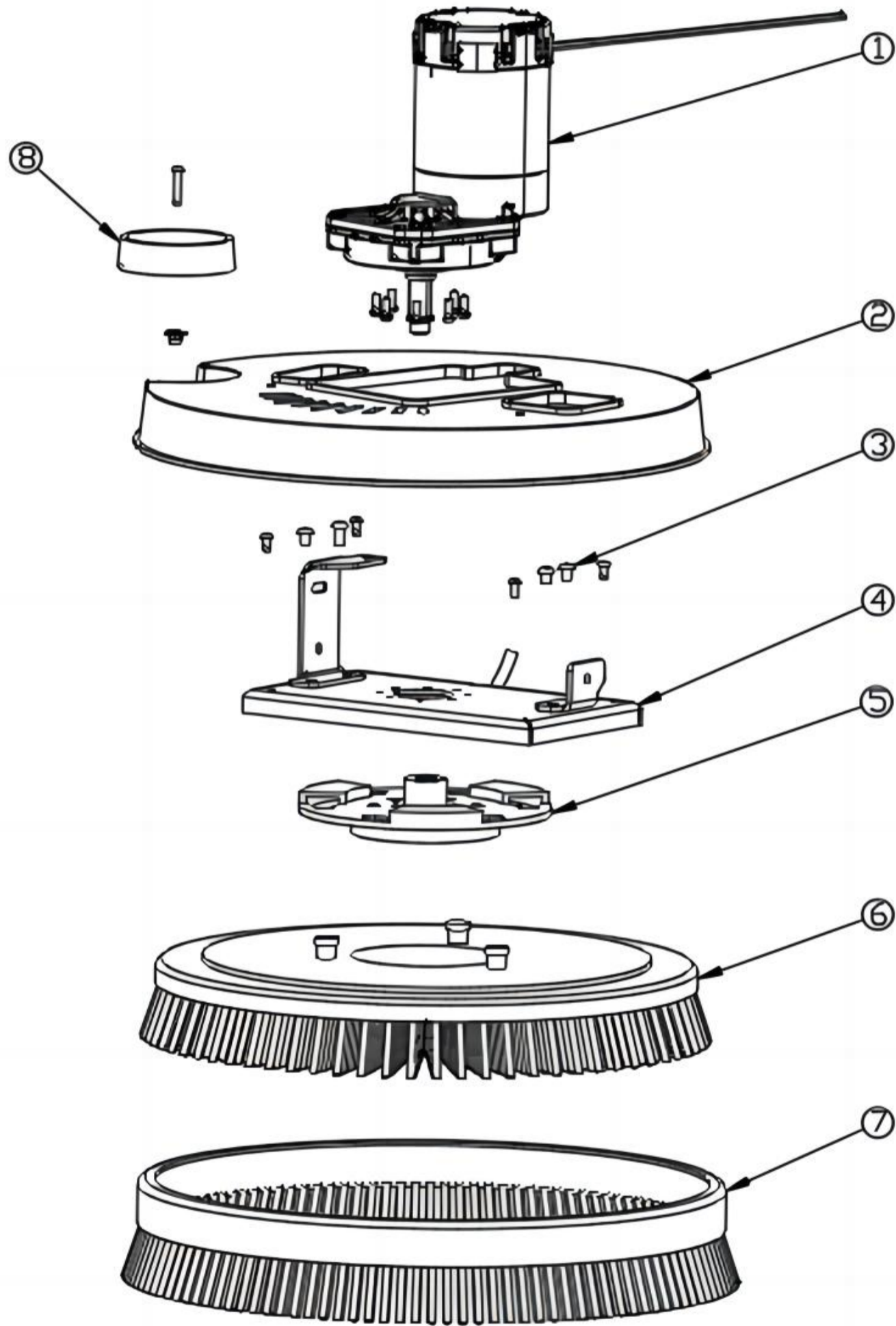
Ref.	Part No.	Description
1	0101010003	Soultion tank
2	0101010059-6	Sheet Metal-Pad, Brush Pedal, Non- Slip
3	0101010059-7	Sheet Metal-Bracket, Lift, Sqge
4	0101010059-8	Sheet Metal-Plate, Mtg, Sqge
5	0101010027	Universal wheel
6	01020029	Spring, 2*20*98
7	0101010043	Drive Motor
8	0101010049	Wheel
9	0101050011	Battery

Fig. 5 -HOSE GROUP



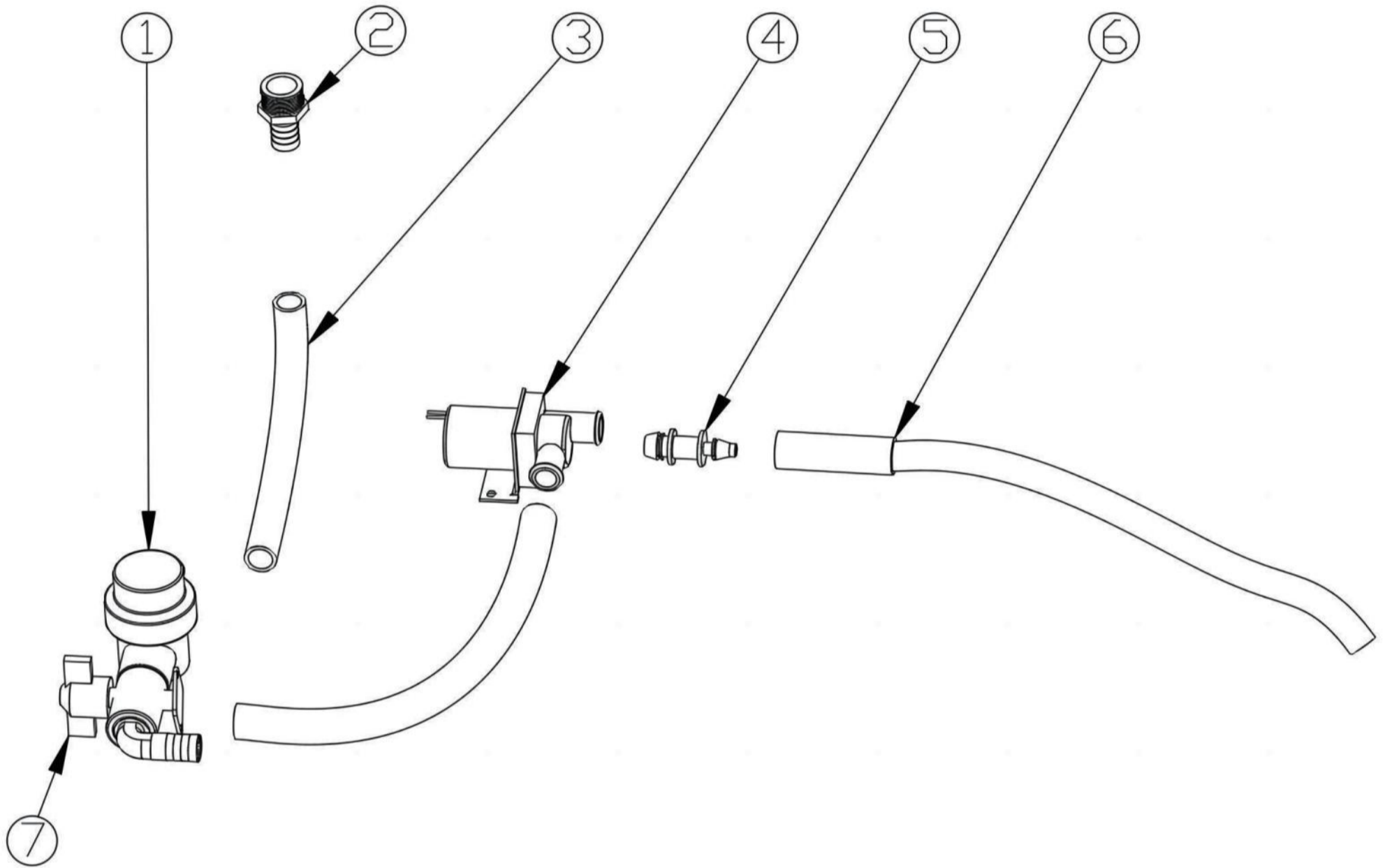
Ref.	Part No.	Description
1	0101010017	Clip
2	01020028	Clamp
3	01010050	Red Plug
4	0101010059-5	Sheet Metal-Handle, Sqge, Lower, Lift
5	0101010012	Drain Pipe
6	01010001	Water Level Line
7	01020033	Screws-1*8mm external
8	0101010011	Suction pipe

Fig. 6 -SCRUB HEAD GROUP



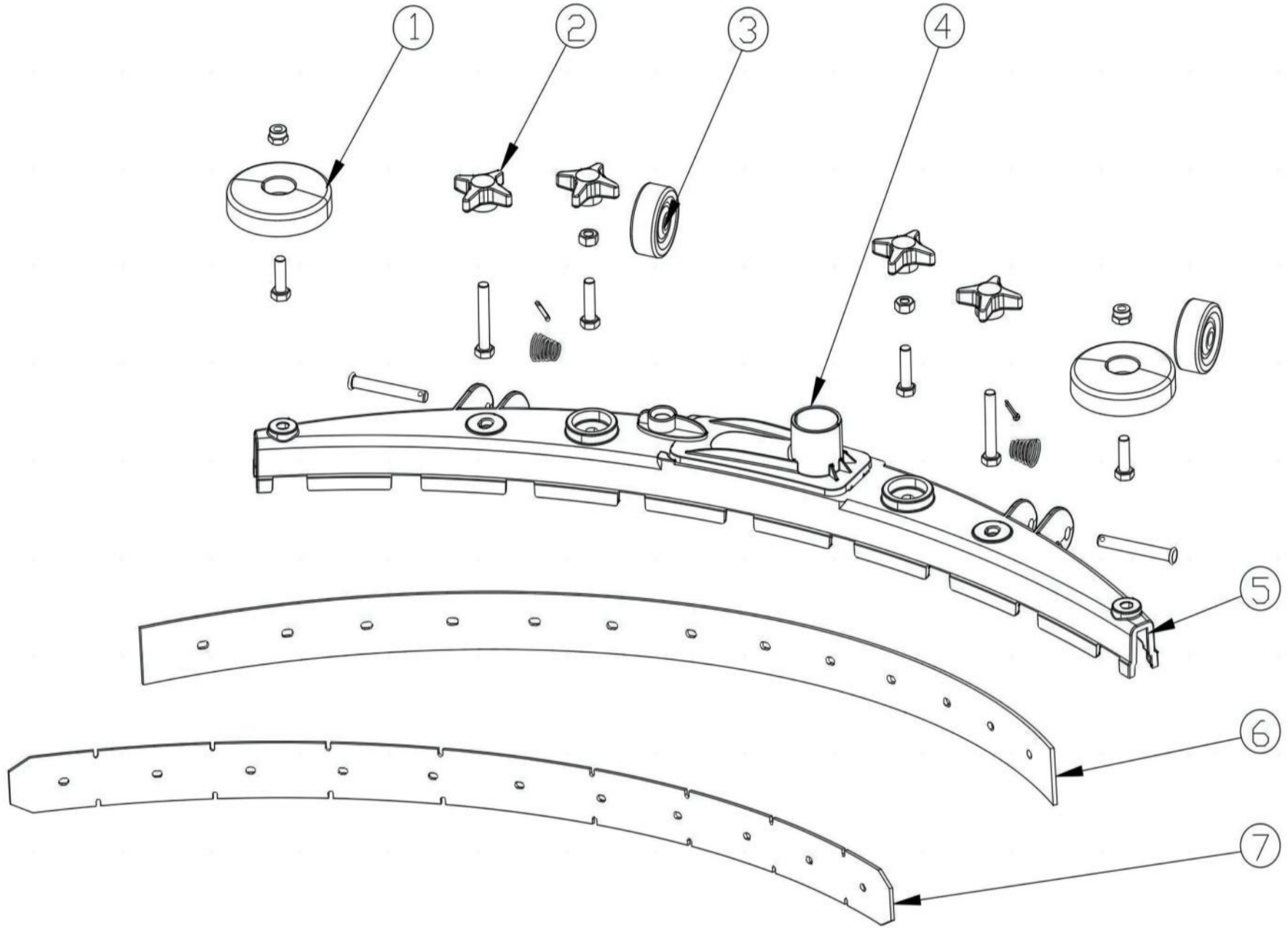
Ref.	Part No.	Description
1	0101010036	Brush motor
2	0101010037	Brush Cover
3		Screws
4		Sheet Metal-Cover, brush
5	0101010013	Flange
6	0101090013	Brush
7	0101010025	Cover, Skirt, Brush
8	0101010038	Anti-collision wheel

Fig. 7 -HOSE GROUP



Ref.	Part No.	Description
1	0101010032	Clean water filter
2	01020064	Screws-4*14mm external
3	01010002	Water pipe
4	0101010031	Solenoid valve
5	01020042	Plastic conversion
6	01010002	Water pipe
7	01020046	Drain switch

Fig.8-SQUEEGEE GROUP



Ref.	Part No.	Description
1	0101010023-W	Description
2	0101010023-K	Knob,M8
3	0101010023-2	Small Wheel
4	0101010016	Connector
5	0101010023	Squeegee,Main Part
6	0101010046-F	Adhesive Strip,Front
7	0101010046-R	Adhesive Strip,Rear