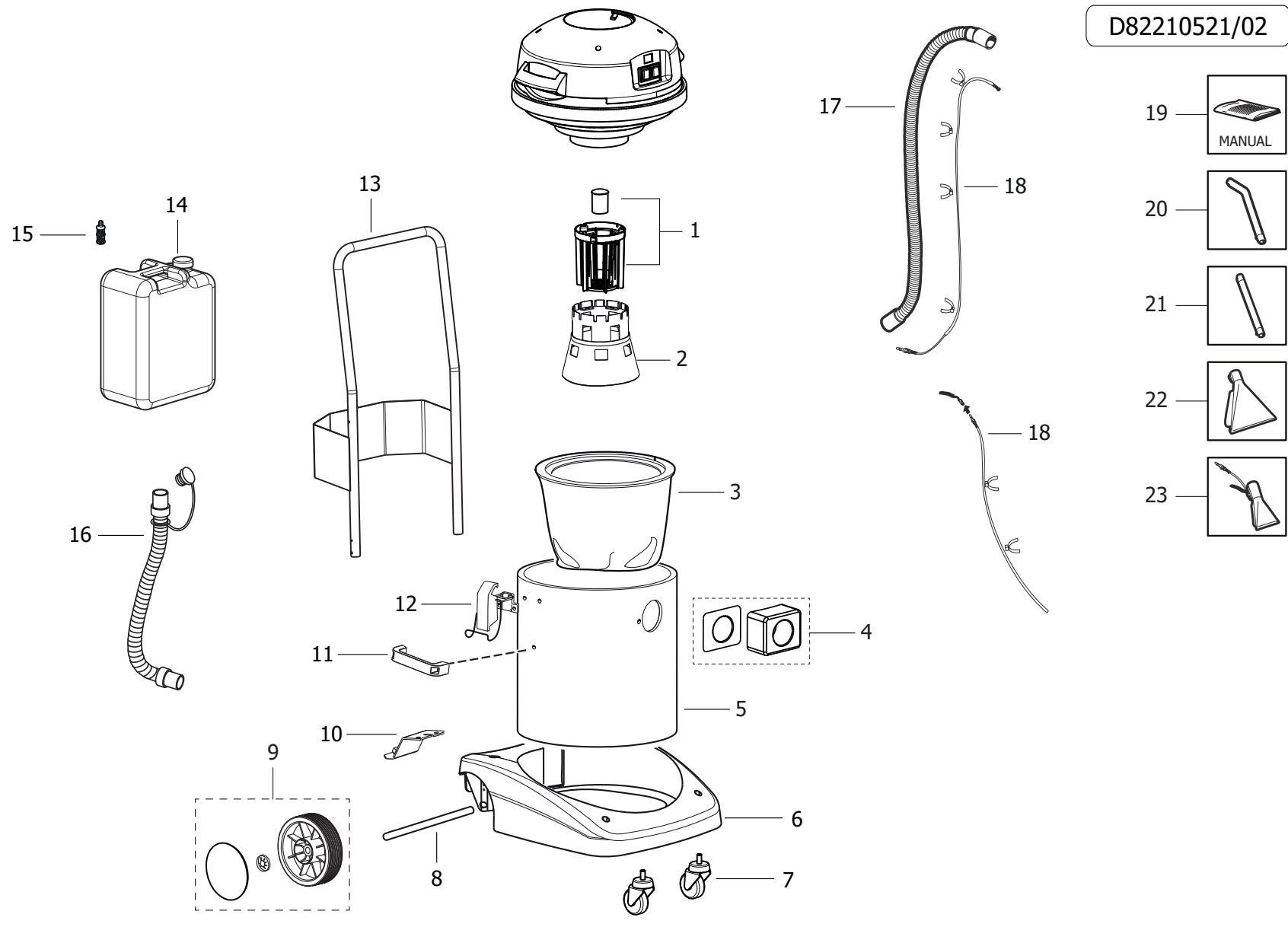


D82210521/02



SOLARIS IF-03 120/60 -LAVOR- (senza spina) - Content filters: validity 28/04/2022

**R82210521 - SOLARIS IF-03 120/60 -LAVOR- (senza spina)**

Validity: from 01/04/2019 to 31/12/9999



Pos.	Code	Substituted by	Q.ty	Purchasable	Min. Q.ty	For mainten.	Description
.	R52110159		1	No			ASS.TESTATA SOLARIS/COSTELL. 2 MOTORI -GR.SC.-(RAL.7016) S/SPINA 120V
001	6.205.0145		1	Yes	1		KIT BASKET + FLOAT WINDY
002	4.208.0076		1	Yes	1		CONE
003	5.509.0039		1	Yes	1		FILTER
004	6.205.0071		1	Yes	1		KIT GASKET+PIPE UNION FOR PROF ESSIONAL VACCUM
005	3.751.0016		1	Yes	1		INOX DRUM
006	4.208.0287		1	Yes	1		GREY BASE'03 DOMUS-TAURUS RAL.7016
007	3.006.0058		3	Yes	1	EXT	WHEEL PIV. D.60 H82 M10x20 XEC O VERSION (A122211TGN)
008	4.207.0005		1	Yes	1		WHEELS AXLE D.15 L.490
009	6.205.0208		1	Yes	1		KIT WHEELS
010	4.207.0029		1	Yes	1		BRACKET
011	4.208.0132		2	Yes	1		HANDLE
012	3.099.0454		2	Yes	1	EXT	HOOK 2.05/621 ZNT FOR BODY
013	4.207.0030		1	Yes	1		IMPUGNATURA COSTELL.ECO C/FASC IA SUPP.TANICA CATAF.NERA
014	3.601.0150		1	Yes	1		TANK
015	6.205.0053		1	Yes	1		KIT SUCTION WATER FILTER + PLASTIC CONNECTION
016	6.205.0189		1	Yes	1		KIT OUTLET PIPE mt.0,90
017	5.209.0021		1	Yes	1	EXT	COMPLETE FLEXIBLE HOSE MT. 2.5 D.40
018	5.211.0059		1	Yes	1		CARPET ACCESSORY
019	7.300.0290		1	Yes	1		MANUALE SOLARIS IF-03/ERIS 78 +CE LWS 9L A5 56F
020	3.753.0019		1	Yes	1		STEEL CURVED HOSE D. 38.2
021	3.753.0020		1	Yes	1		STEEL HOSE D. 38.2
022	5.209.0142		1	Yes	1		INJECTION/EXCTRACTION LARGE CARPET TOOL
023	5.209.0143		1	Yes	1		SMALL INJ./EXTR. NOZZLE